

HOFMANN®



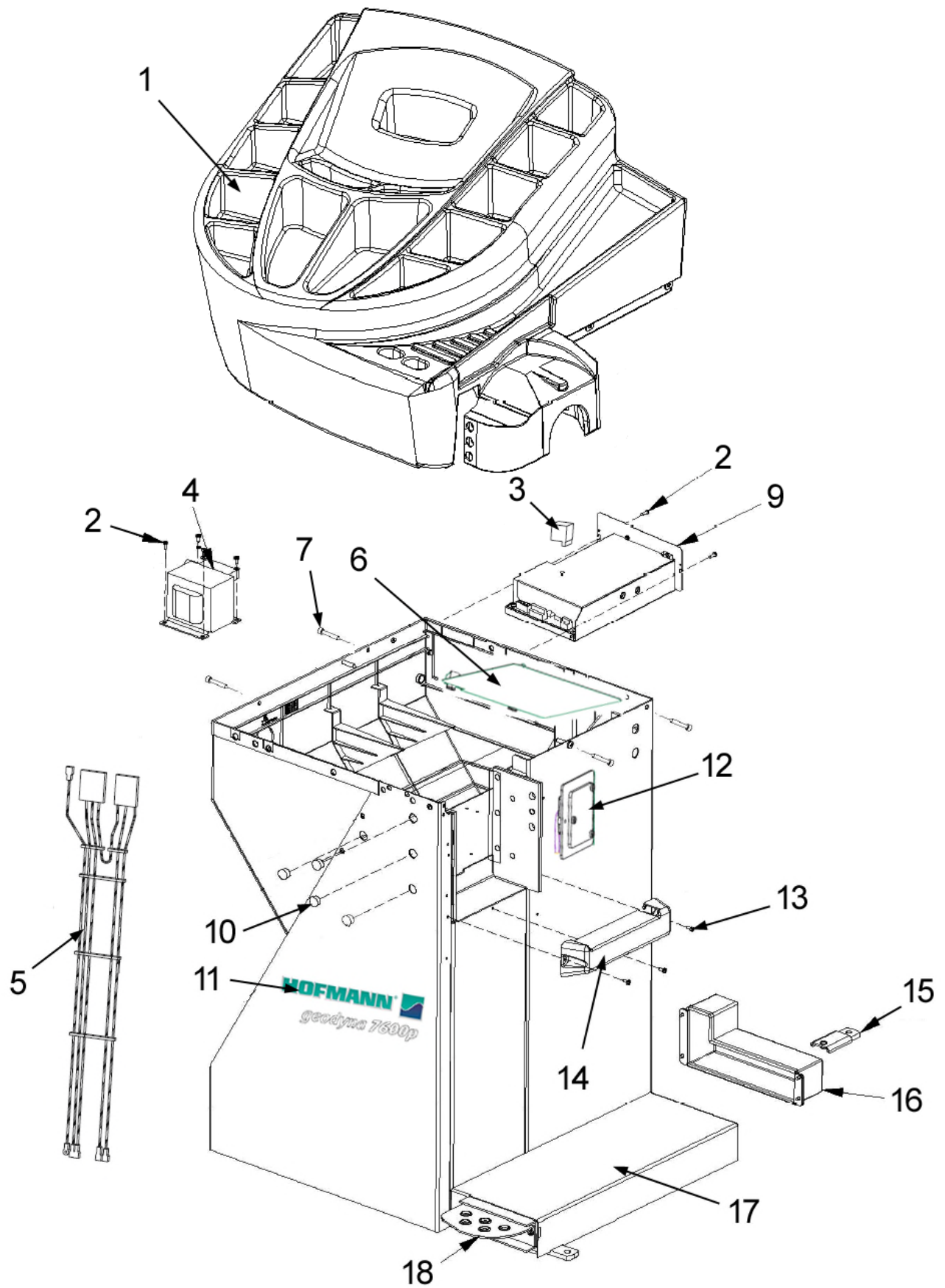
geodyna 7600p

Spare Parts List

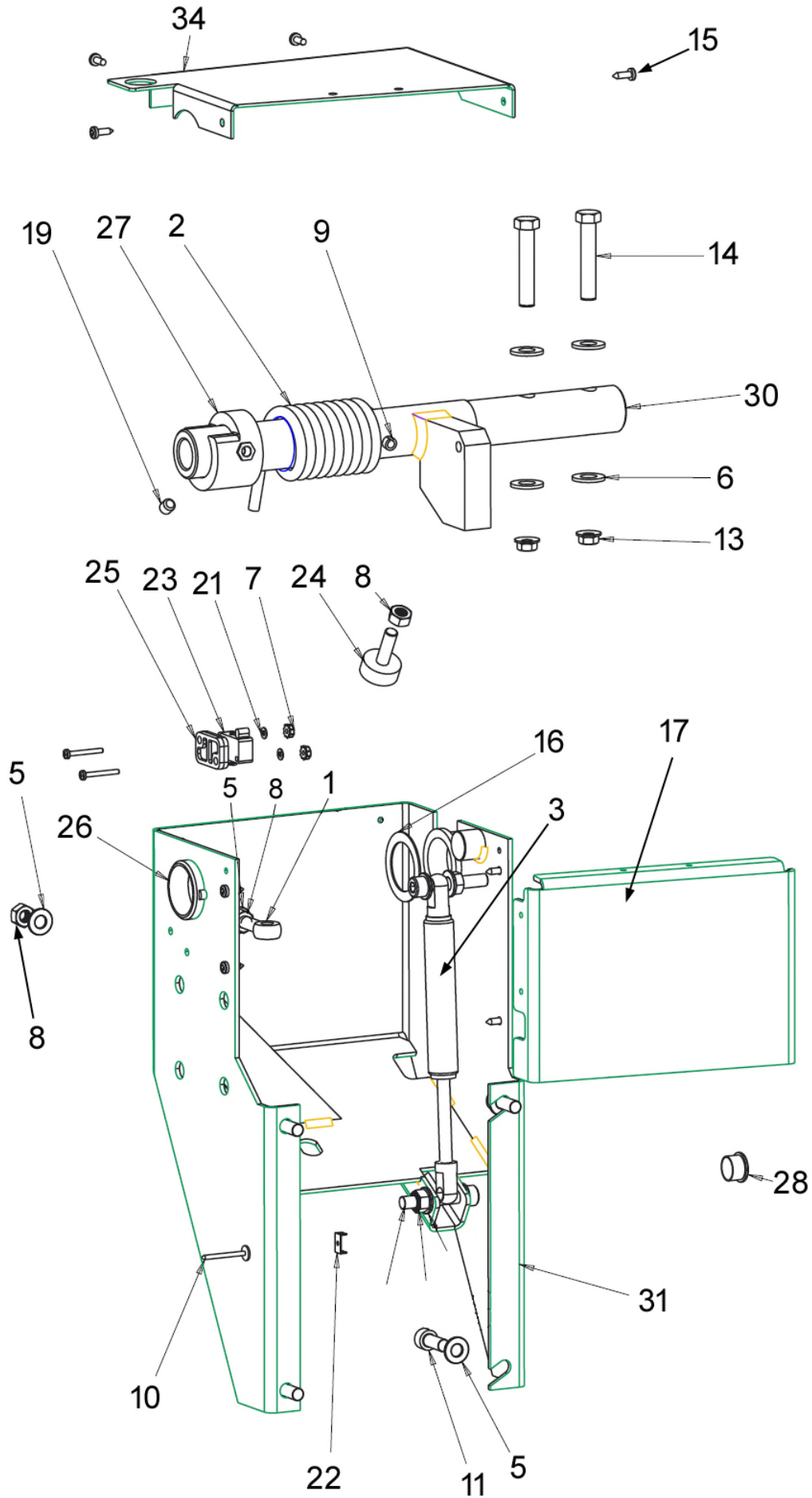


BOM EEWB765AP Geodyna 7600p

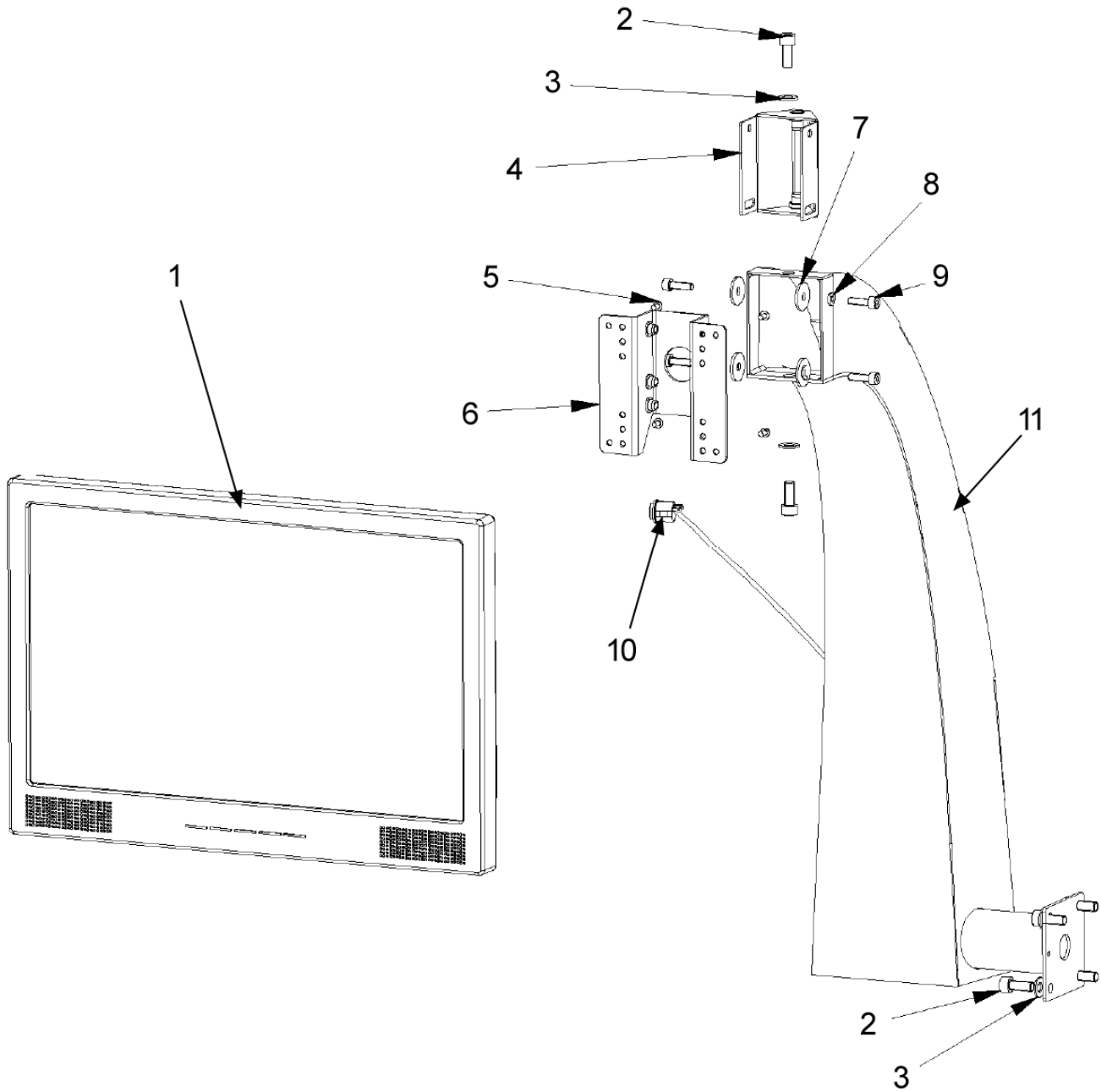
Part Number	Description
EAA0369J98A	Assy - Geodyna 7600P
EAK0309J30A	Monitor 19" W/ Touch Screen
EAA0369J66A	Hood Assembly 42" With Sonar
EAW0290J26A	Power Cord 115V 5 meters
ZEEWB765A9	Lit Pack- Geodyna 7600
00089209000	Cord-Power Adapter 12
EAC0058D68A	Spacer
EAA0283D11A	Clamping Devices For P-Version
EAM0003J69A	Cone (3.42 – 5.25)
TEEWB765A0	Install Sheet
EAL0442G06A	Decal- Hofman Geodyna 7600P
EAL0341J63A	Label-Patent
EAL0341J56A	Label-Laser
EAL0341J57A	Label-Caution
EAL0420J33A	Label - Caution Max Diam And Weight
EAL0341J70A	Label – Laser Aperature
EAL0341J71A	Label – Cfr Certification
EAL0341J96A	Label – Balancer Warning, Rear
EAL0341J97A	Label – Balancer Warning, Side
EAL0343J76B	Label-Electrical/Serial - Bal And Tc
5403	Form-lwr



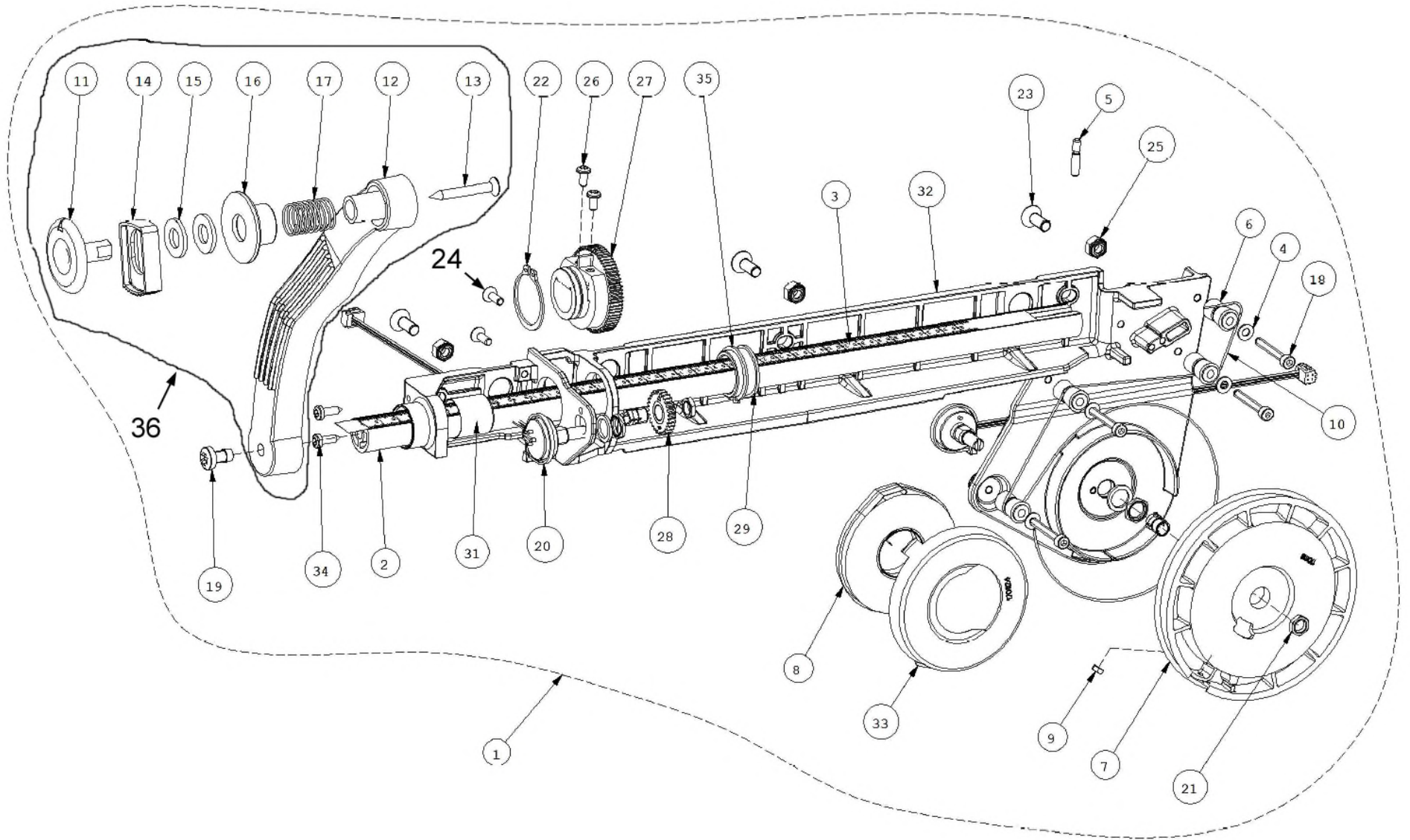
Ref	Qty	Part Number	Description
1	1	EAM0101G75A	Weight Tray
2	6	1-3724	Screw-M5 X 10
3	1	2-17947A	Socket-Multipole Wago 733-110
4	1	7-16201A	Transformer-500 VA
5	1	EAW0233J07A	Harness-Wiring, Transformer
6	1	EAS2128J67A	Shield-Fire
7	4	1-03725A	Screw-Ph Self Tap M6.3X32 Phil
9	2	EAA0458G39AC	Electronic Box
10	1	8-7216	Plug-Hole 16mm
11	1	EAL0442G06A	Decal- Hofman Geodyna 7600P
12	1	EAA0393G87A	Led Lamp Assy
13	2	1-22623A	Screw-Ph Pn H Tap 3.9X13
14	1	EAC0103G31A	Cover Vibratory System
15	1	EAS2246G63A	Foot Extension for M2 Cabinet
16	1	EAA0508G88A	Assy Cover For M Cabinet
17	1	EAA0423J47A	Balance Cabinet Medium Blue
18	1	EAA0503G89A	ALU Brake Pedal



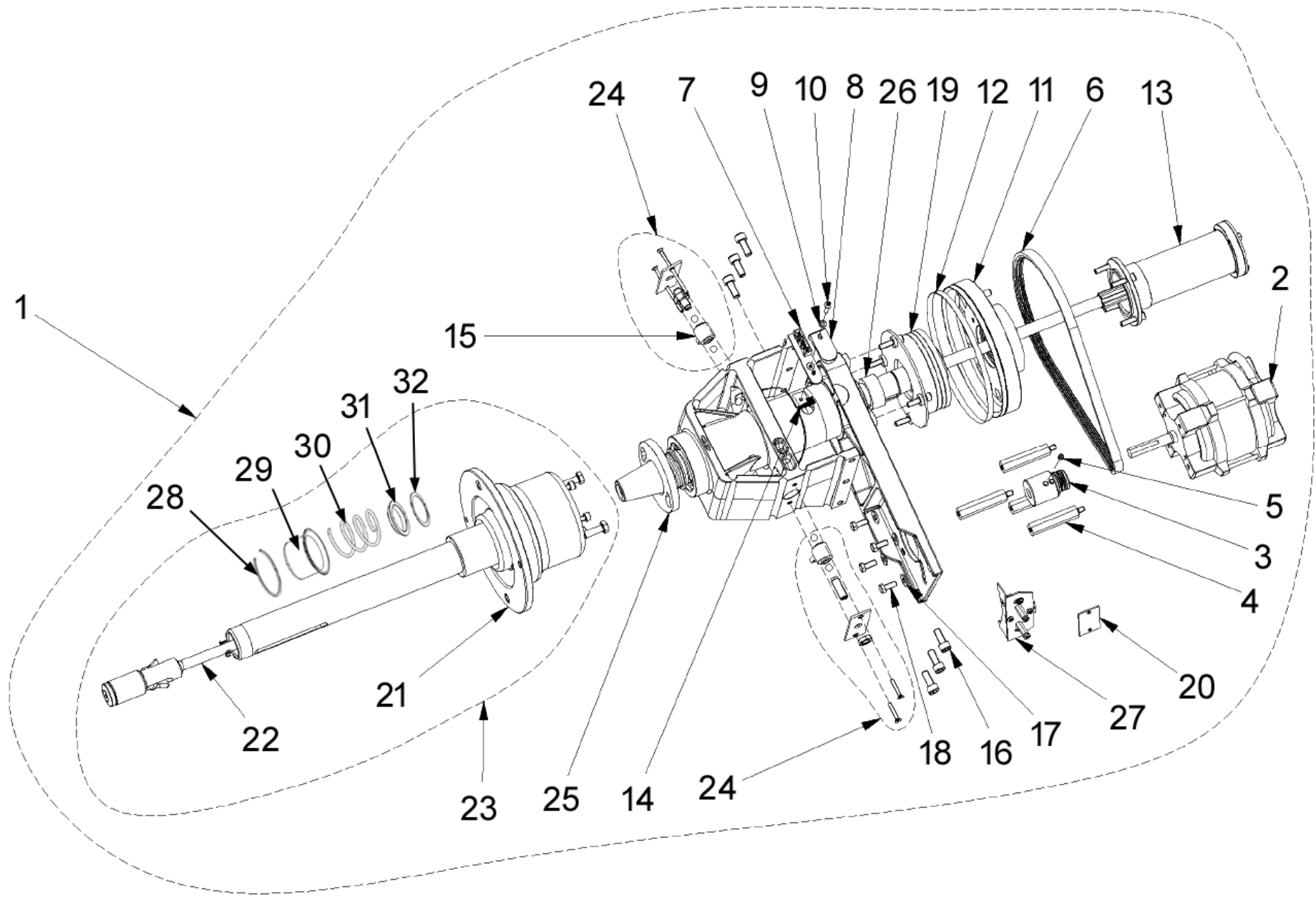
Ref	Qty	Part Number	Description
1	1	1-01530	Eyebolt-M8 X 50
2	1	1-04267A	Spring-Torsion
3	1	1-06769A	Gas Spring
4	1	1-10033	Nut, Hex, M8
5	10	1-10041	Washer D.8
6	4	1-10141	Washer, Plain Din 125A
7	2	1-15033	Nut-Keps, M3 - .5
8	4	1-15933A	Nut - Hex, M8
9	1	1-12452	Pins - Straight Slotted 8X45
10	1	1-7558	Pop Rivet-3/16"
11	4	1-17709	Screw - Shcs M8 X 20mm
12	2	1-18209	Shcs-M8 X 45
13	2	1-8133	Nut & Washer Assy 3/8 - 16
14	2	1-1101	Screw - Hhms 3/8 - 16 X 2.00
15	8	1-22623A	Self-Tapping Screw Tcb
16	1	1-22441A	Shim Ring 32X45X1
17	1	EAS2177G41AC	Front Backpack
19	1	1-47810	Screw, Set, M8 - 1.25 X 8mm
20	2	1-02307A	Screw - Phm, M3 X 25mm
21	2	1-9541	Washer-Flat,M3 Din 125A
22	1	2-23201	Terminal Lug-6.3mm X .8mm
23	1	EAW0233J08B	Cable-Switch Assy
24	1	8-15218A	Bumper 40X25 / M8
25	1	EAC0053J16A	Microswitch Plate
26	2	EAC0058D36A	Wheelguard Bushing D.32
27	1	EAC0058D38A	Schaltring Switch Segment
28	1	8-7216	Plug-Hole, 16mm Dia
30	1	EAM0084J39A	Shaft & Stop Block
31	1	EAS2128J49A	Assy Back Pack
34	1	EAS2128J54A	Wheelguard Support



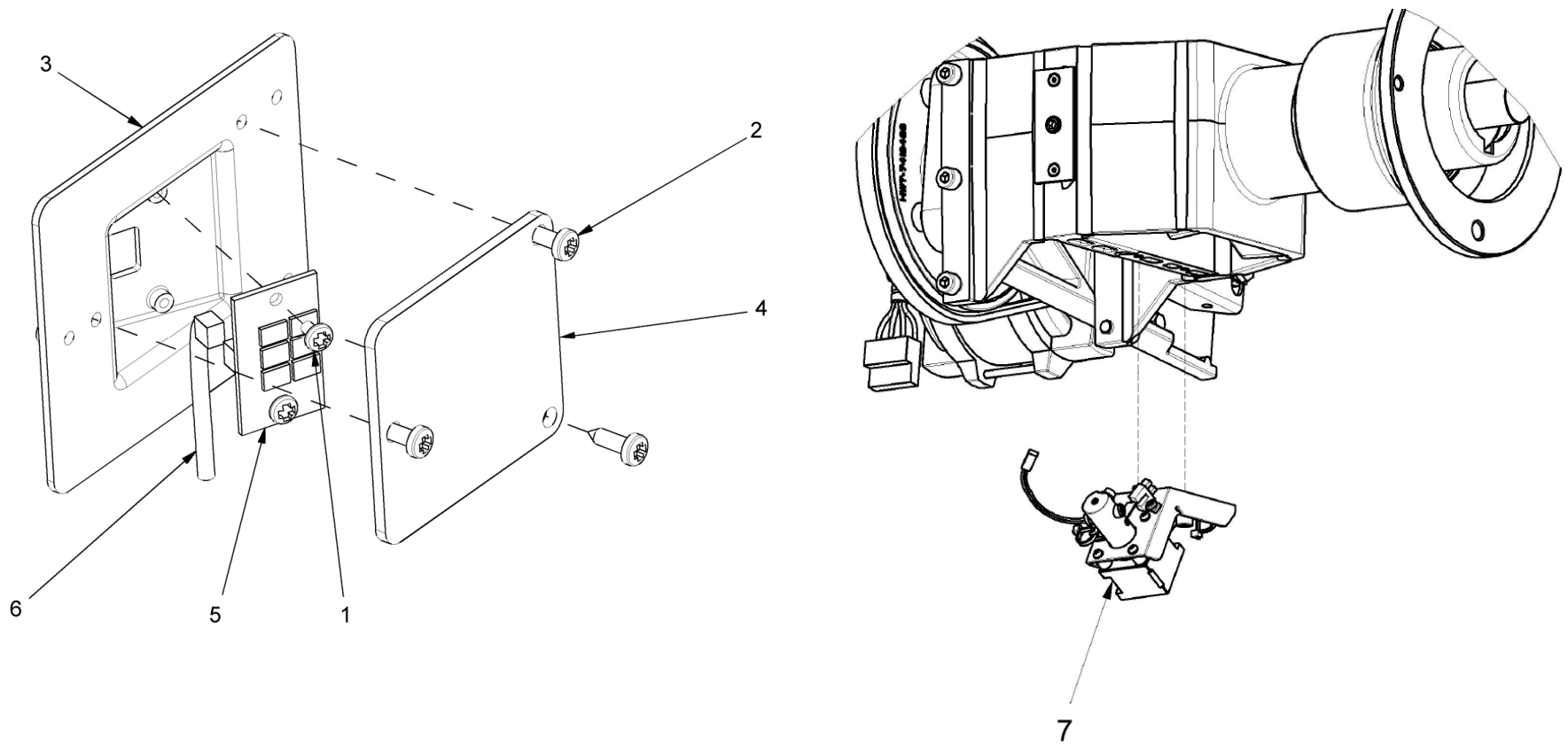
Ref	Qty	Part Number	Description
1	1	3-08108A	Monitor 19"
2	6	1-17709	Bolt-M8 X 1.29 X 20mm
3	6	1-10041	Washer, Plain M8
4	1	EAS2128J88A	Monitor Support Bracket
5	4	1-54310A	Set Screw M4 x 20
NS	4	1-3533A	Nut wlockwasher
6	1	EAA0423J19A	Assy Vesa Support
7	4	1-22941A	Washer M6 6.5mm IDx24mm OD
8	4	1-2746	Lock Washer M6
9	8	1-16309	Screw - Shcs M6 X 16mm
10	1	EAW0283G01A	Cable Push Button Assy
11	1	EAS2128J83A	Monitor Support Assy



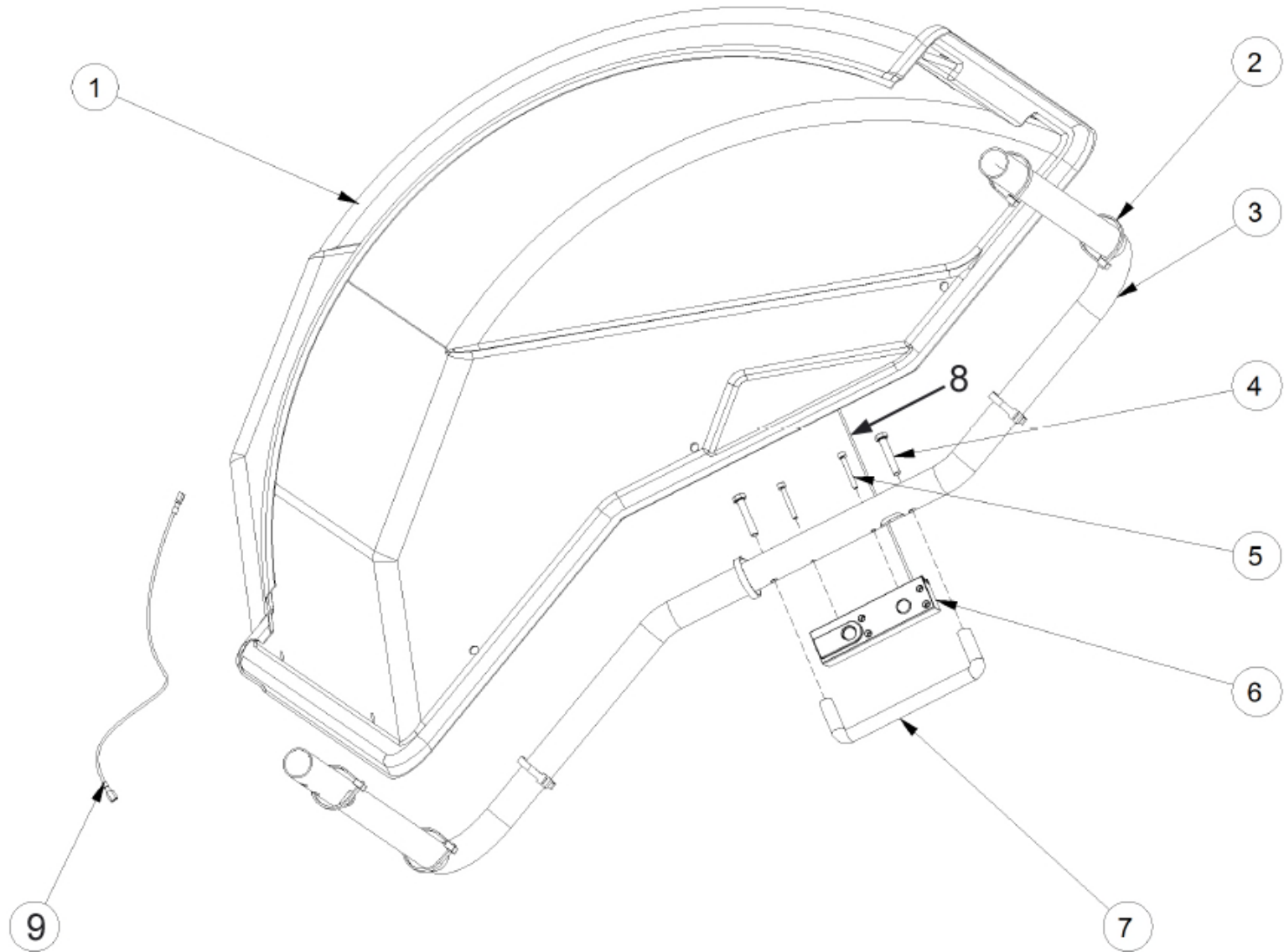
Ref	Qty	Part Number	Description	Ref	Qty	Part Number	Description
1	1	EAA0471G18A	M2 Sape 1D-2D Assy	19	1	1-3824	Screw
2	1	EAM0053G19A	Standard. Rod Sape, M2	20	2	EAA0266D20A	Potentiometer Unit With Nut
3	1	EAM0140G91A	Distance Scale Decal (mm)	21	2	2-07657A	Clamping Device
4	4	1-9641	Washer	22	1	1-13377A	Circlip For Shaft
5	1	EAM0181G08A	Machined Screw M4	23	3	1-22003A	Screw 6X16 10K
6	4	EAM0005D35A	Guiding Reel	24	2	1-17726A	Screw Tps
7	1	EAC0058D06A	Return Pulley	25	3	1-9933	Nut
8	1	1-08167A	Stand. Sape Tension Spring	26	2	1-11726A	Screw For Plast.
9	1	1-11233	Nut - M3 White Zincked	27	1	EAC0058D12A	Cog Wheel 56 Teeth
10	0,9	6-00604A	Rope Spectra 1000 D 0,6	28	1	EAC0058D13A	Wheel Gear
11	1	EAC0058D11A	Feeler Disk	29	1	EAM0181G36A	S2-D2 Bushing
12	1	EAC0054P01A	Arm, Axcel Caliper	31	1	1-13865A	Bushing
13	1	1-3624	Screw Polyplast	32	1	EAM0125G67A	Machined Sape Support
14	1	EAC0058D09A	Register, Ejection	33	1	EAC0058D58A	Safety Cover
15	2	1-10141A1	Washer P.D.10	34	2	1-22623A	Screw, Phil Pan H.Tapp.
16	1	EAC0058D10A	Ring, Push	35	1	1-4577	Ring Snap
17	1	1-06868A	Spring, Compression	36	1	EAA0277D94A	Sape arm w/ejector
18	4	1-13909	Scr - Hex Skt Hd Cap				



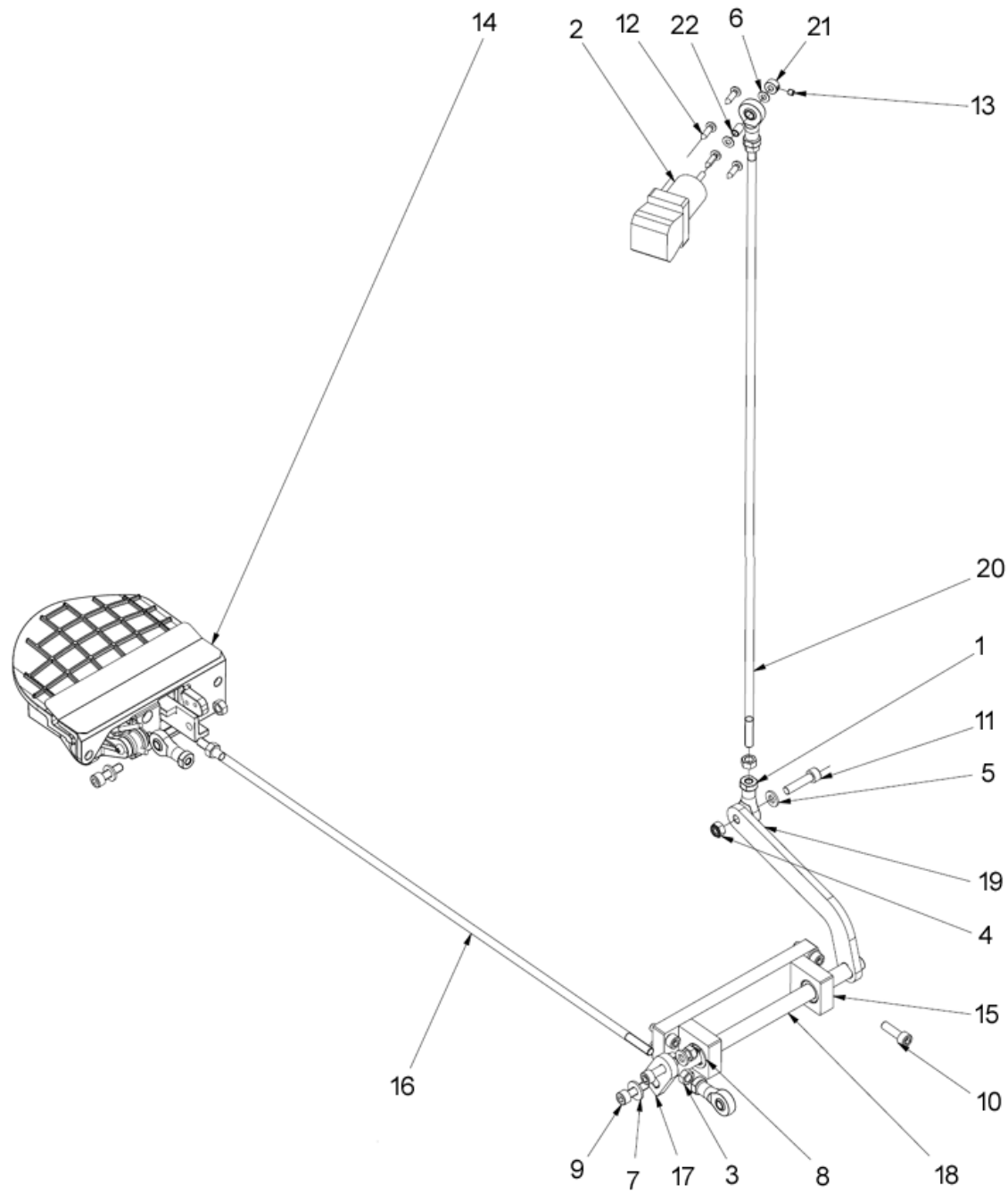
Ref	Qty	Part Number	Description	Ref	Qty	Part Number	Description
1	1	EAA0392G39A	Complete Vibratory	17	4	1-16641A	Washer Plain
2	1	2-59366A	Motor w\Connector	18	4	1-46701A	Hex Head Screw
3	1	EAM0005D08A	Motor Pulley	19	1	EAA0307G35A	Brake Disc Repair Kit
4	4	EAM0061G82A	Unit Motor Spacer	20	1	EAP0201D20A	Encoder Board Complete
5	1	1-28410	Screw	21	1	EAA0382G01A	Power Clamp Flange L
6	1	8-3531	Belt	22	1	EAA0382G02A	Pull-Shaft Complete L
7	1	EAA0344G00A	Opto-Electronic Unit	23	1	EAA0384G71A	P-Clamp Flange Complete
8	1	EAC0094G11A	Encoder Board Protection	24	1	EAA0328G16A	Transducer Fixing Unit
9	1	1-9641	Washer	25	1	EAA0307G37A	Bayonet Fitting
10	1	1-35006A	Screw	26	1	EAM0051G25A	Power Clamp Spacer Ring
11	1	EAM0021D18A	Motor Pulley	27	1	EAK0329G15A	Board Support Kit
12	1	EAM0005D64A	Encoder Bar Code	28	1	1-13077	Circlip
13	1	EAA0307G36A	Replacement Kit "P"	29	1	EAS2025D14A	spring Guide
14	1	EAW0240G67A	Cable Without Temp. Sensor	30	1	1-07768A	Compression spring
15	2	EAA0260D59A	Transducer	31	1	EAC0058D14A	Spring centering ring
16	6	1-17709	Screw Tcei 8X20 8G	32	1	1-18241A	Washer



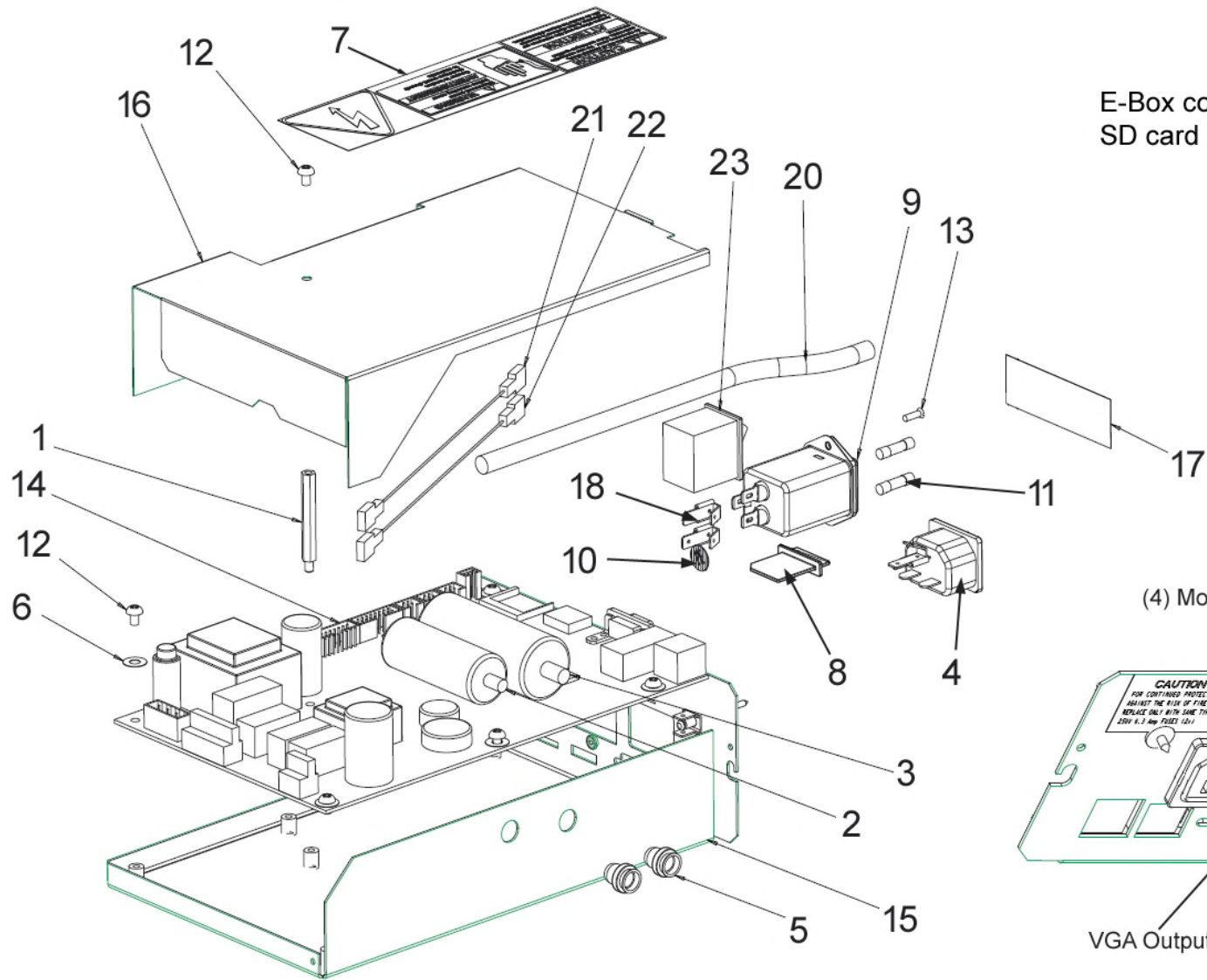
Ref	Qty	Part Number	Description	Ref	Qty	Part Number	Description
1	2	1-13026A	Screw	7	1	EAA0394G93A	Weight Laser Kit Assy
2	3	1-22623A	Self Tapping screw				
3	1	EAC0103G85A	Led support				
4	1	EAM0093G67A	Window				
5	1	EAP0290G30A	Lamp Board				
6	1	EAW0282G98A	Lamp Cable				



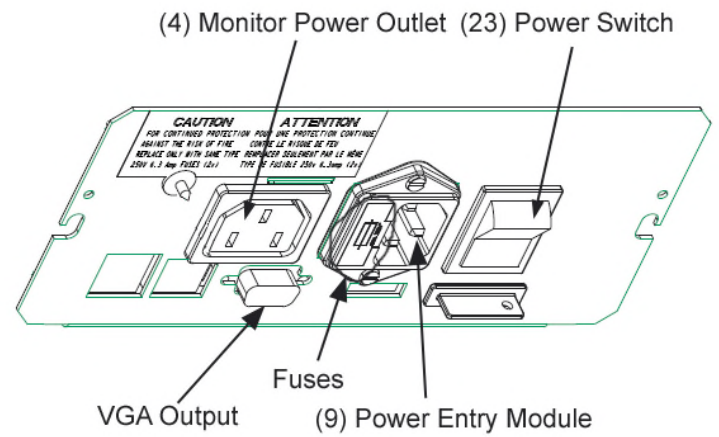
Ref	Qty	Part Number	Description	Ref	Qty	Part Number	Description
1	1	EAC0100G21A	Hood 42"	6	1	EAA0373G96A	Sonar Box Assy
2	7	5-03345A	Cable Tie, Plastic	7	1	8-09233A	Plastic Handle
3	1	EAM0076G34A	Wheelguard Tube	8	1	EAW0283G77A	Sonar Sensor Cable
4	2	1-18209	Shcs-M8 X 45	9	1	EAW0283G76A	Sonar Sensor Cable Extension
5	2	1-15509	Screw Hshc 5X40 8G Zinc				



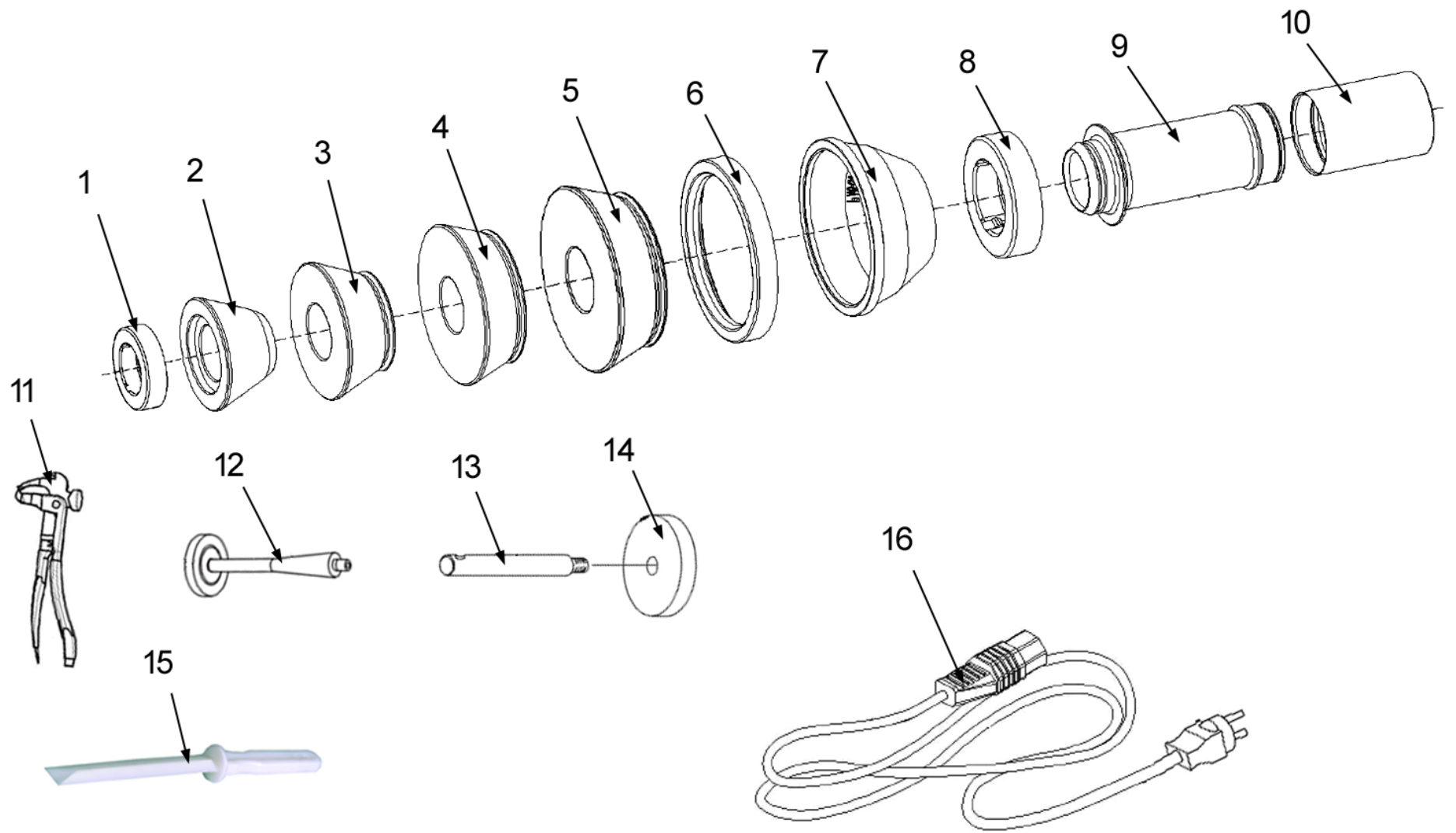
Ref	Qty	Part Number	Description
NS	1	EAA0503G90B	Complete Brake Pedal Assembly
1	4	1-11963A	Rod End Self Lubrificating
2	1	2-13658A	Joystick, 2 Positions, 48mm Shaft
3	5	1-11633A	Nut-Hex. M6 6S
4	2	1-9933	Nut, Prevailing Torque M6
5	9	1-9841	Washer, Plain D6
6	2	1-9641	Plain Washer D4mm
7	2	1-16641	Washer Plain D 6mm
8	2	1-18477A	Retaining Ring 10X1,2mm Thk
9	3	1-16409	Screw - Hex Socket Head Cap
10	4	1-16409A	Screw, Hex Socked Head M6X20
11	2	1-16509A1	Screw, Hex Socket Head M6X25
12	4	1-18023A	Screw, Selfthread. 8Px16
13	1	1-38610	Screw M4X4 Set Cup Zn
14	1	EAA0503G89A	Alu Brake Pedal UI Version
15	1	EAA0508G23B	Shaft Support Assy
16	1	EAM0179G21B	Pulling Bar Low M Cabinet
17	1	EAM0179G23B	Small Linkage Plate
18	1	EAM0179G24A	Bearing Shaft
19	1	EAM0179G25B	Big Linkage Plate
20	1	EAM0179G26B	Pulling Bar Upper M Cabinet
21	1	EAM0180G22B	Joystick Connection
22	1	EAM0181G82A	Joystick Bushing



E-Box comes programmed with 3-75526A
SD card Not included



Ref	Qty	Part Number	Description
1	1	1-16661A	Spacer M4X45
2	1	2-01429A	Capacitor - 10Uf, 400V
3	1	2-01529A	Capacitor - 20Uf, 400V
4	1	2-63348A	Connector AC Outlet
5	2	1-18359A	Threaded Insert M8X1,25
6	6	1-5547	Washer-Lock, Ext, M4
7	1	EAL0341J98A	Label-Balancer Warnings, Ebox
8	1	EAC0087G52A	Memory Card Plug
9	1	2-68948A	Power Entry Module
10	1	8-23762A	Label - Earth Symbol
11	2	2-21251A	Fuse-Time Delay, 250V, 6.3 Amp
12	7	1-19804	Screw, Phil Pan Head M4X6
13	2	1-11103	M3 X 10Mm Flat Head Screw
14	1	EAP0276G80A1	L.E. Video Integrated
15	1	EAA0369J63A	Frame Assy For L. E. Video lbp
16	1	EAS2128J74A	Cover For L.E. Video
17	1	EAL0349G44A	Fuses Caution
18	3	2-31001A	Terminal - Quick Connect
19	1	EAW0233J06A	Cable - lec, Jumper
20	1	EAW0240G79A	Main Cord
21	2	EAW0243P22A	Link Wire Brown
22	2	EAW0243P23A	Link Wire Blue
23	1	2-13258A	Main Switch



Ref	Qty	Part No	Description
1	1	EAC0058D08A	Pressure Ring
2	1	EAM0005D23A	Cone 1.65" - 3.03"
3	1	EAM0005D24A	Cone 2.83" - 3.9"
4	1	EAM0005D25A	Cone 3.78" - 4.57"
5	1	EAM0003J69A	Cone 3.42" - 5.25"
6	1	EAC0058D15A	Rubber Protection Ring
7	1	EAC0058D07A	Pressure Cup
8	1	EAC0058D08A	Pressure Ring
9	1	EAM0086G86A	Clamping Sleeve P-Version L
10	1	EAC0058D69A	Protection Sleeve Long
11	1	00058839000	Pliers, Wheel Weights
12	1	EAM0005D40A	Calibration Weight
13	4	EAM0006G01A	Hook
14	4	EAC0060G02A	Flanges Guard
15	1	EEHT300A	Tool
16	1	EAW0290J26A	Power Cord 115V 5 meters
NS	1	00089209000	Cord-Power Adapter 12



Notice: The information contained in this document is subject to change without notice. Hofmann makes no warranty with regard to this material. Hofmann shall not be liable for errors contained herein or for incidental consequential damages in connection with furnishings, performance, or use of this material.

309 Exchange Ave
Conway, AR 72032
501-450-1500

Geodyna 7600p Spare Parts List

TEEWB765AP3_TS

DSS

03/2023